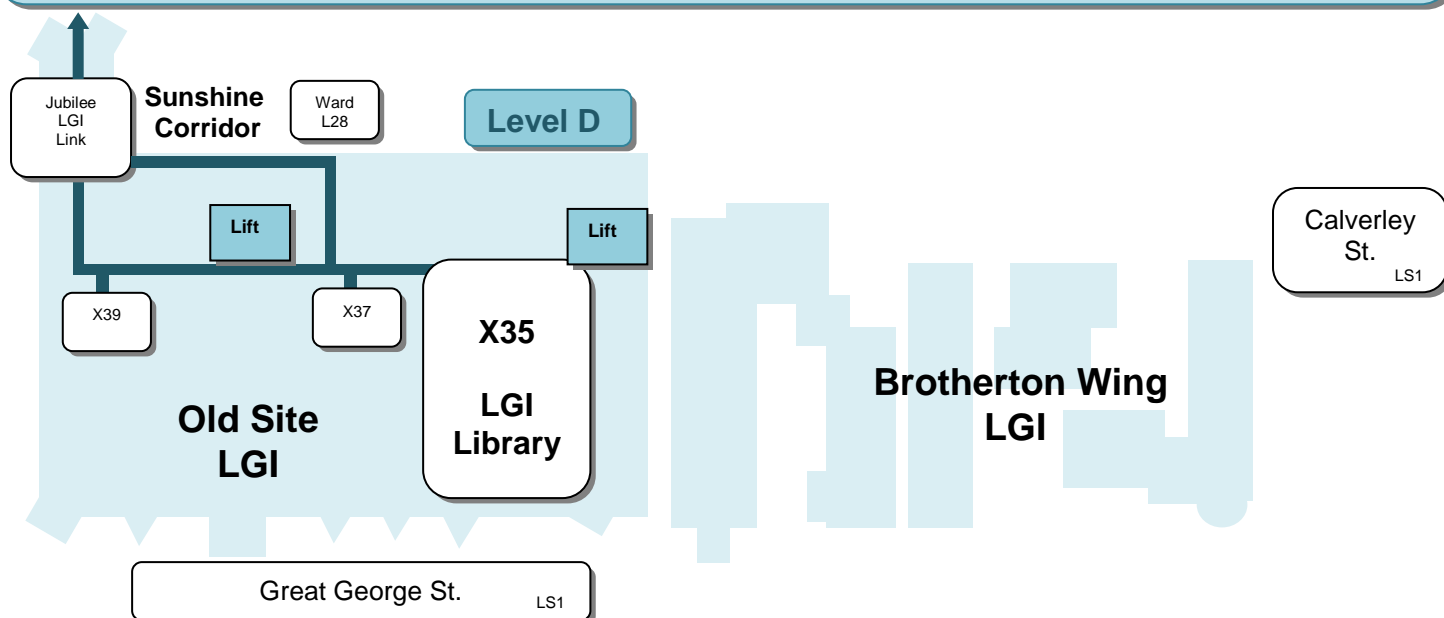


## Directions to the Library & Evidence Research Centre X35, D Floor, Old Site, LGI



### Route to the Library from the Jubilee Wing – Route A (suitable for disabled access)

1. From the Jubilee Wing Main Entrance go through the reception area to the back entrance. Turn down the blue ramp leading to the Old Site
2. At the bottom of the ramp turn left and then take your first right (the Chapel will be on your left hand side). At the end of this short corridor turn right again. There is a lift immediately on the right, take the lift to Level D.
3. Turn left out of the lift and walk straight ahead, access to the library is the last ward on your right.

### Route to the Library from the Brotherton Wing Entrance – Route B

1. Enter the Brotherton Wing via the Calverley Street entrance. Take the lift or the stairs (on the left of the Reception Desk) to Level B.
2. Walk down the long corridor. Approximately three quarters of the way down the Long Corridor on the left hand side is a lift. (Please note that if you use the lift you must have a mobile phone with you.) Take the lift to Floor D, Level 4. Turn left out of the lift and take the first turn on your left. The library is straight ahead.
3. Alternatively, instead of taking the lift, you can enter through the double doors immediately after the lift and walk up two flights of stairs. The library is on your right.